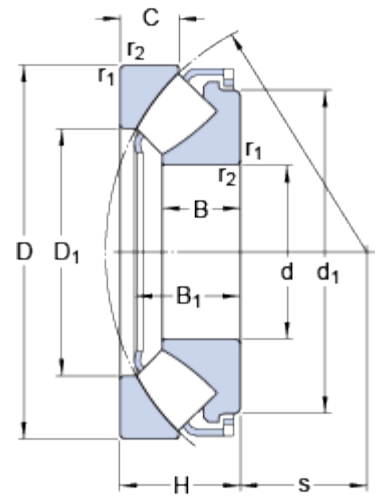


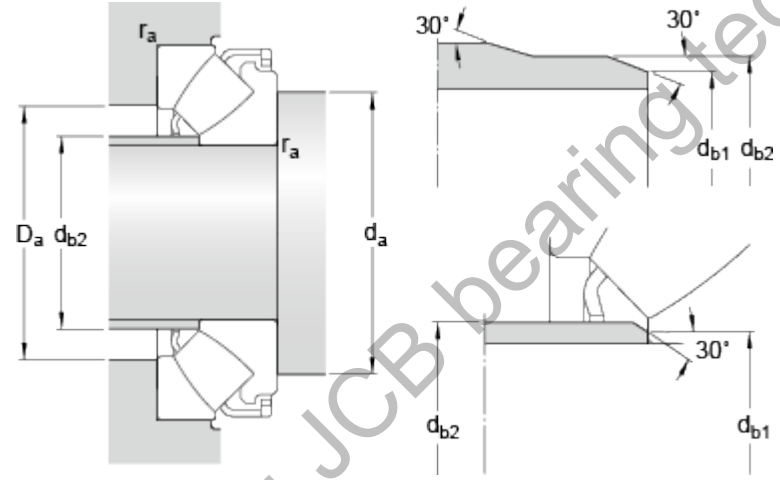
# 29326EX

## Dimensions



d	130	mm
D	225	mm
H	58	mm
d <sub>1</sub>	≈ 203	mm
D <sub>1</sub>	≈ 166	mm
B	36.7	mm
B <sub>1</sub>	50.6	mm
C	30.1	mm
s	75.6	mm
r <sub>1,2</sub>	min. 2.1	mm

## Abutment dimensions



d <sub>a</sub>	min. 175	mm
d <sub>b1</sub>	max. 138	mm
d <sub>b2</sub>	max. 143	mm
D <sub>a</sub>	max. 194	mm
r <sub>a</sub>	max. 2	mm

## Calculation data

Basic dynamic load rating	C	865	kN
Basic static load rating	C <sub>0</sub>	2500	kN
Fatigue load limit	P <sub>u</sub>	280	kN
Reference speed		1600	r/min
Limiting speed		2600	r/min
Minimum axial load factor	A	0.59	

## Mass

Mass bearing		9	kg
--------------	--	---	----